

The logo for Krube, featuring the word "Krube" in a bold, black, sans-serif font. The letter "K" is stylized with a blue and orange gradient. The logo is enclosed in a white circle with a blue border, which is part of a larger blue and white abstract graphic design in the top left corner of the page.

Krube

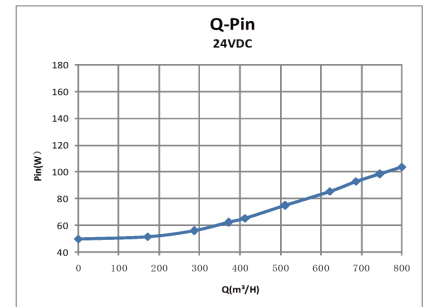
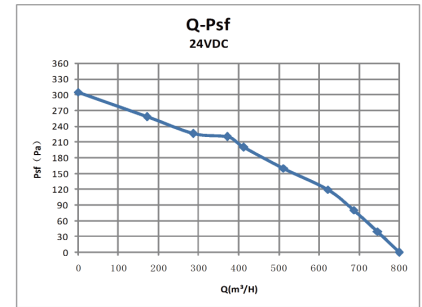
SPECIFICATION

MODEL

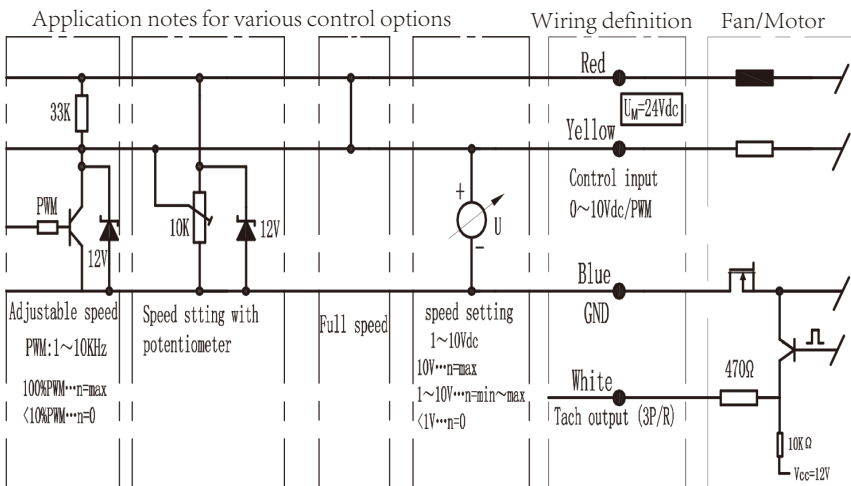
K-DC133-D24-16

Specification

1	Rated Voltage		24(DCV)
2	Voltage Range		~ 16 28 (DCV)
3	Speed	In free blowing condition	1650 ± 5% (RPM)
4	Power		105 ± 10% (W)
5	Tach Pulse Output		3 pulse/rev
6	Rotation		Ci(see from rotor)
7	Control mode		Sine wave
8	Insulation class		Class B
9	Duty cycle		Continuous
10	Electronic		Yes
11	Ambient temp		-25° C ~ +60° C
12	Storage Temp		-40° C ~ +70° C
13	Protected Class		IP42
14	Dynamic balance		G6.3
15	Weight		3.7 (kg)



Customer circuit



NO.	Colour	Function	Guage
1	Red	Vm: 24Vdc	UL2464 18AWG
2	Blue	COM	
3	Yellow	0-10Vdc/PWM	UL2464 22AWG
4	White	Tachpulse outpu 3P/R	

