



# SPECIFICATION

---

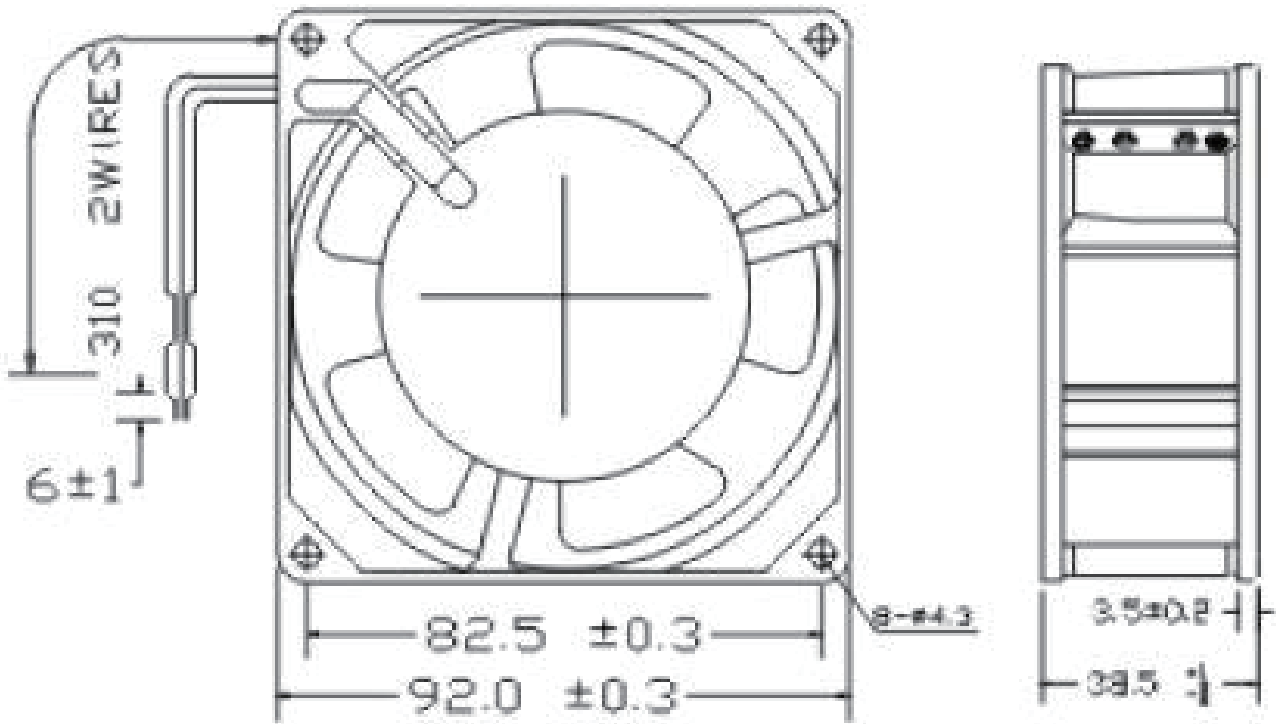
**MODEL**

**K-AC9238-A110-32-S**

**1、PRODUCT SPECIFICATION**

NO	TEST ITEM	SPECIFICATION/CONDITION
1	SAFETY AGENCY'S APPROVAL	
2	DIMENSION	92×92×38mm
3	RATED VOLTAGE	110 VAC
4	OPERATING VOLTAGE RANGE	100 VAC~120 VAC
5	START-UP VOLTAGE	75VAC
6	RATED CURRENT (A)	50Hz 0.13A (0.145MAX)
		60Hz 0.14A (0.15MAX)
8	RATED INPUT POWER (W)	50Hz 16W (18MAX)
		60Hz 17W (19MAX)
10	AIR FLOW (CFM)	50Hz 44CFM
		60Hz 53CFM
12	AIR PRESSURE (mmH <sub>2</sub> O)	50Hz 4.60(mmH <sub>2</sub> O)
		60Hz 6.90(mmH <sub>2</sub> O)
14	ROTATIONAL SPEED (R. P. M.)	50Hz 2650±10% (R.P.M.)
		60Hz 3200±10% (R.P.M.)
16	ACOUSTICAL NOISE (dB-A)	50Hz 29dB-A (32dB-A MAX)
		60Hz 35dB-A (38dB-A MAX)
18	INSULATION RESISTANCE	500VDC 100MΩ
19	INSULATION & VOLTAGE RESISTANCE	1800VAC (50Hz) 0.5mA 1S
20	LIFE EXPECTANCE	50,000 HRS AT TEMP. 25℃ , 15%~65RH
21	OPERATING TEMPERATURE	-15℃~+55℃
22	STORAGE TEMPERATURE	-25℃~+65℃
23	WEIGHT	g
24	MOTOR PROTECTION	IMPEDANCE PROTECTION
25	INSULATION TYPE	CLASS S
26	BEARING SYSTEM	SLEEVE
27	FRAME	AL (ADC12)
28	STATOR&ROTOR	SILICON STEEL
29	FAN BLADE	PLASTICS IMPELLER (PBT-PV30%)
30	IP rating	IP67

## 2、PRODUCT DRAWING



DIMENSIONS UNIT:MM

## 3、Fan output curves of

