

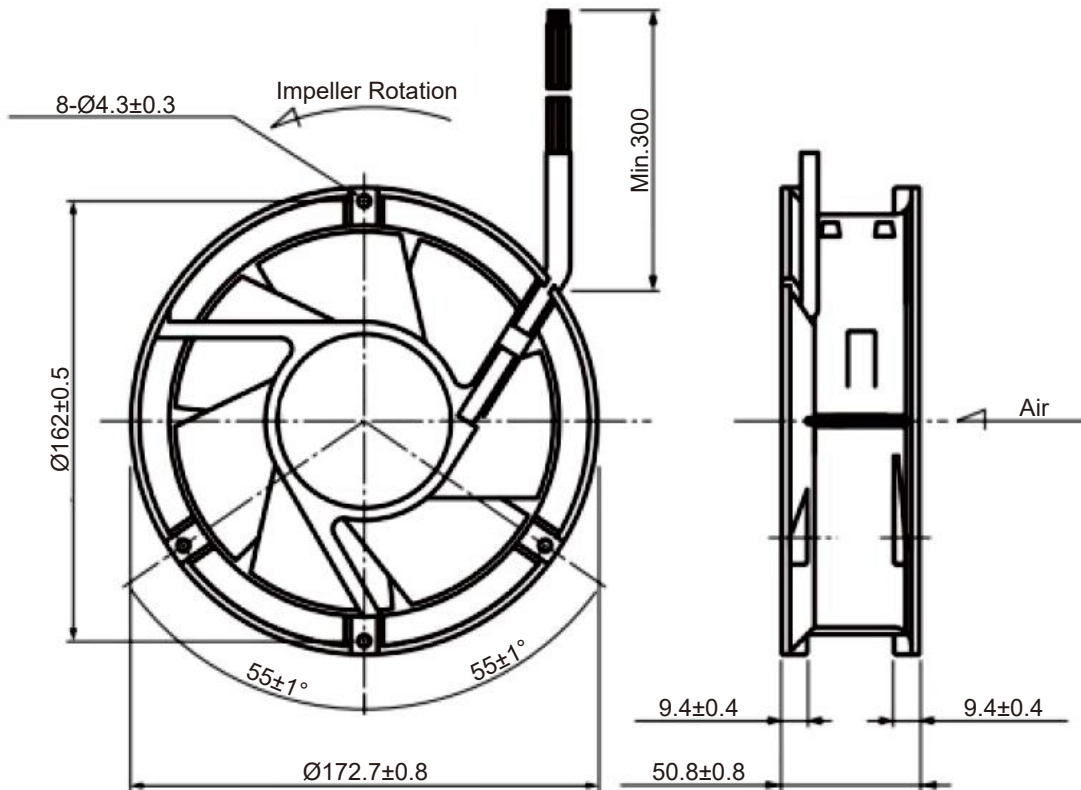
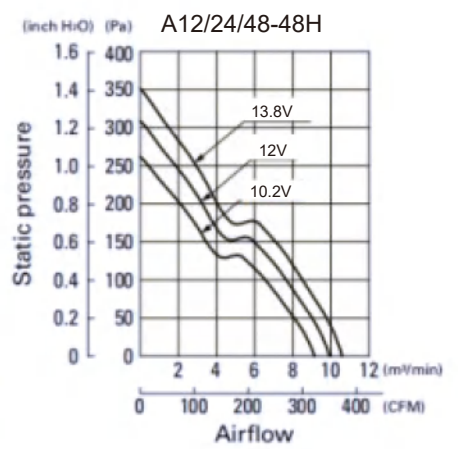
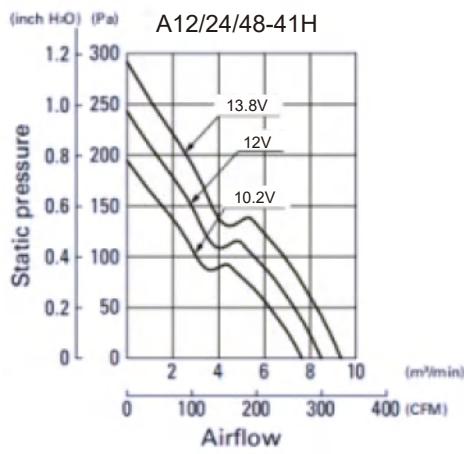
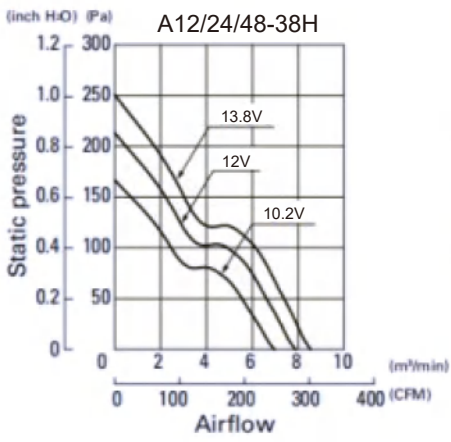
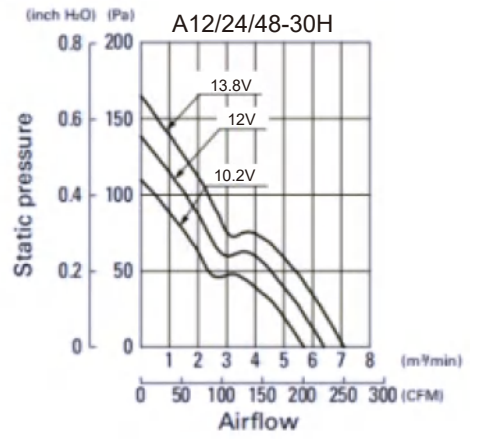
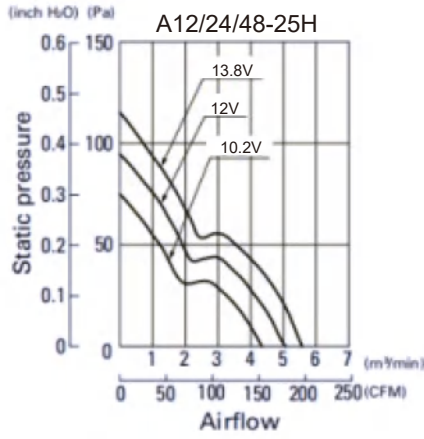
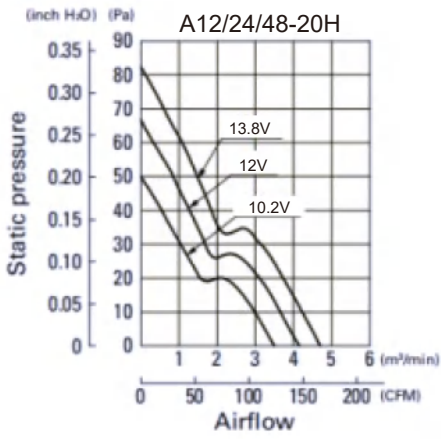
172mm-Series Fan



- Material--Frame:Aluminum,Impeller Impeller:Plastics (Flammability:UL94V-0)
- Lead Wire-- +Red -Black
Optional Function:Brown(Sensor) Yellow(Control)
- Life Time-- 50000 Hours Ball bearing
- Storage Temperature-- -30°C~+70°C (Non-comdensing)
- Bearing Type-- Ball Bearings~Sleeve
- Speed Range-- ±10%

Model No.	Rated Voltage	Operating Voltage	Rated Current	Rated Input	Rated Input	Maximum Air Flow		Max.Static Pressure		Noise
	VDC	VDC	AMP	Watt	R.P.M	M³/min	CFM	MmH2O	In H2O	dB-A
K-DC17251-A12-20H	12	8.5~13.5	0.5	6.0	2000	4.2	148	6.88	0.271	41.5
K-DC17251-A12-25H			0.7	8.4	2500	5.1	180	9.65	0.38	47
K-DC17251-A12-30H			1.2	14.4	3050	6.4	226	13.99	0.551	52
K-DC17251-A12-38H			2.3	27.6	3800	8	282	21.34	0.84	60
K-DC17251-A12-41H			2.9	34.8	4100	8.5	300	24.79	0.976	62
K-DC17251-A12-48H			3.4	49.8	4800	9.9	350	31.42	1.237	66
K-DC17251-A24-20H	24	14.5~27.5	0.25	6.0	2000	4.2	148	6.88	0.271	41.5
K-DC17251-A24-25H			0.35	8.4	2500	5.1	180	9.65	0.38	47
K-DC17251-A24-30H			0.6	14.4	3050	6.4	226	13.99	0.551	52
K-DC17251-A24-38H			1.15	27.6	3800	8	282	21.34	0.84	60
K-DC17251-A24-41H			1.45	34.8	4100	8.5	300	24.79	0.976	62
K-DC17251-A24-48H			1.7	49.8	4800	9.9	350	31.42	1.237	66
K-DC17251-A48-20H	48	29~55	0.125	6.0	2000	4.2	148	6.88	0.271	41.5
K-DC17251-A48-25H			0.175	8.4	2500	5.1	180	9.65	0.38	47
K-DC17251-A48-30H			0.3	14.4	3050	6.4	226	13.99	0.551	52
K-DC17251-A48-38H			0.575	27.6	3800	8	282	21.34	0.84	60
K-DC17251-A48-41H			0.725	34.8	4100	8.5	300	24.79	0.976	62
K-DC17251-A48-48H			1.04	49.8	4800	9.9	350	31.42	1.237	66

172mm-Series Fan

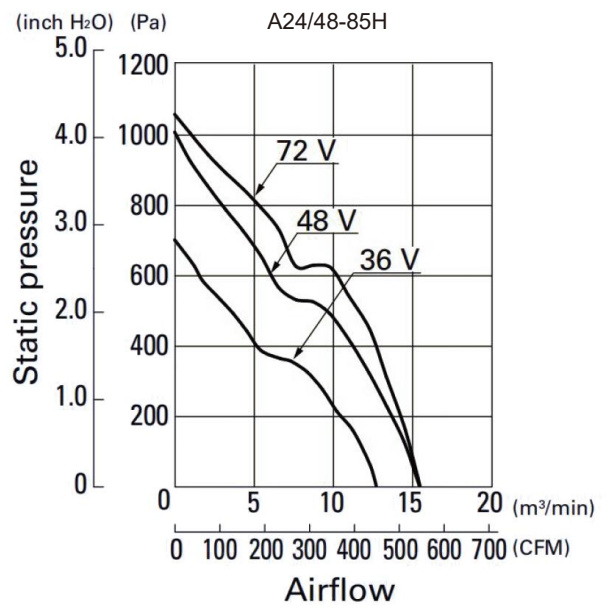
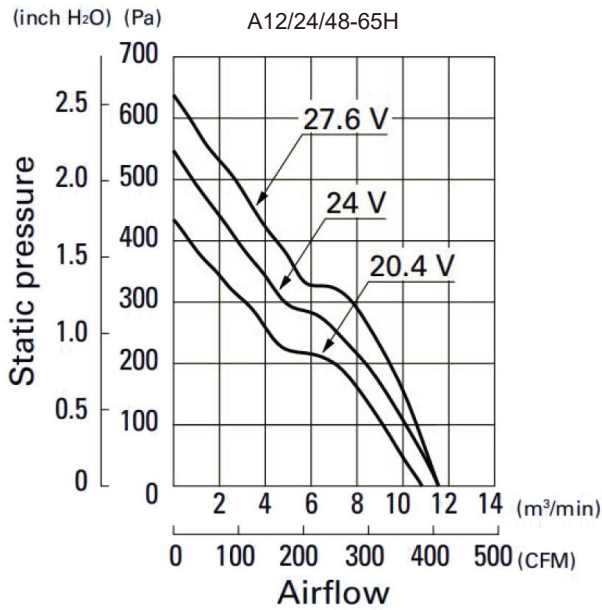


172mm-Series Fan



- Material--Frame:Aluminum,Impeller Impeller:Plastics (Flammability:UL94V-0)
- Lead Wire-- +Red -Black
Optional Function:Brown(Sensor) Yellow(Control)
- Life Time-- 40000 Hours Ball bearing
- Storage Temperature-- -30°C~+70°C (Non-comdensing)
- Bearing Type-- Ball Bearings~Sleeve
- Speed Range-- ±10%

Model No.	Rated Voltage	Operating Voltage	Rated Current	Rated Input	Speed	Maximum Air Flow		Max.Static Pressure		Noise
	VDC	VDC	AMP	Watt		R.P.M	M3/min	CFM	MmH2O	
K-DC17251-A12-65H	12	8.5~13.5	16.0	72	6500	12.3	410.0	54.86	2.16	71.5
K-DC17251-A24-65H	24	14.5~27.5	3.0	72	6500	11.64	410.0	54.86	2.16	71.5
K-DC17251-A24-85H			5.5	132	8500	15.46	546.9	102.11	4.02	78.0
K-DC17251-A48-65H	48	29.0~55.0	1.625	78	6500	12.3	433.0	54.86	4.02	71.5
K-DC17251-A48-85H			2.9	139.2	8500	16.1	566.9	102.11	4.02	78.0

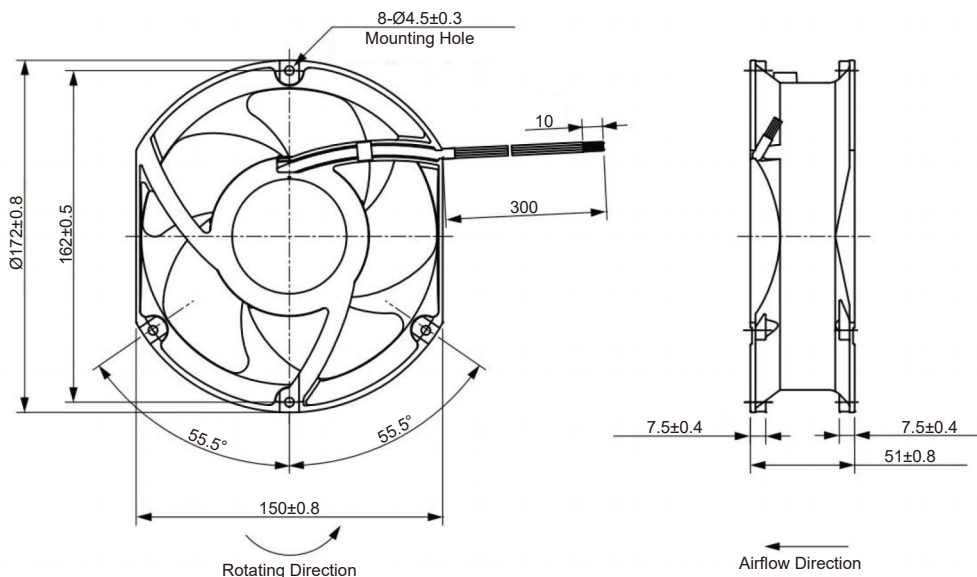
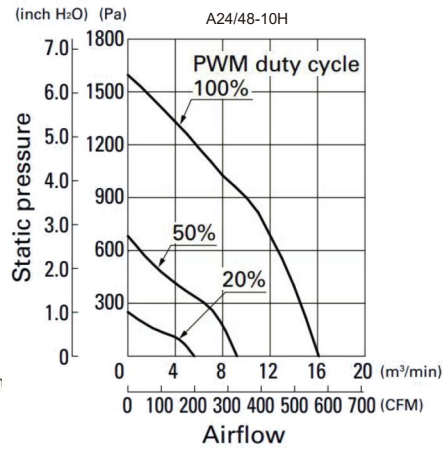
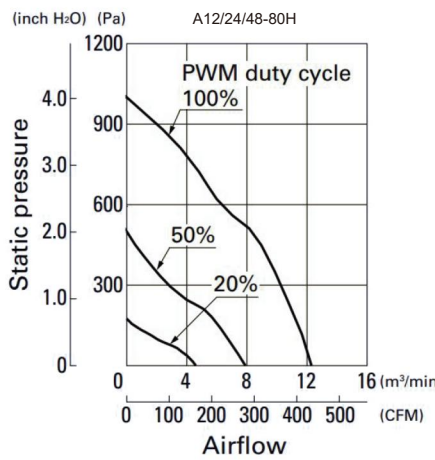


172mm-Series Fan



- Material--Frame:Aluminum,Impeller Impeller:Plastics (Flammability:UL94V-0)
- Lead Wire-- +Red -Black
Optional Function:Brown(Sensor) Yellow(Control)
- Life Time-- 40000 Hours Ball bearing
- Storage Temperature-- -30°C~+70°C (Non-comdensing)
- Bearing Type-- Ball Bearings~Sleeve
- Speed Range-- ±10%

Model No.	Rated Voltage	Operating Voltage	Rated Current	Rated Input	Speed	Maximum Air Flow		Max.Static Pressure		Noise
	VDC	VDC	AMP	Watt		R.P.M	M3/min	CFM	MmH2O	
K-DC17251-A12-80H	12	8.5~13.5	11.0	132	8000	12.3	433.0	102.11	4.02	75.5
K-DC17251-A24-80H	24	14.5~27.5	5.5	132	8000	12.3	433.0	102.11	4.02	75.5
K-DC17251-A24-10H			11.5	276	10500	16.1	566.9	163.3	6.43	82.0
K-DC17251-A48-80H	48	29.0~55.0	2.75	132	8000	12.3	433.0	102.11	4.02	75.5
K-DC17251-A48-10H			5.75	276	10500	16.1	566.9	163.3	6.43	82.0



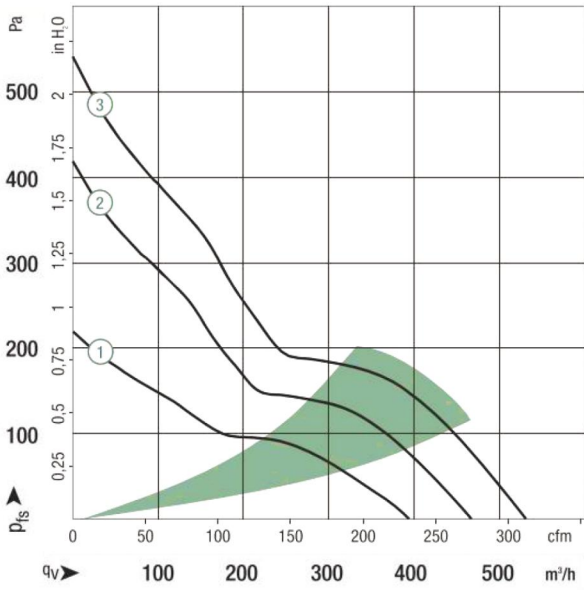
172mm-Series Fan



- Material--Frame:Aluminum,Impeller Impeller:Plastics (Flammability:UL94V-0)
- Lead Wire-- +Red -Black
Optional Function:Brown(Sensor) Yellow(Control)
- Life Time-- 50000 Hours Ball bearing
- Storage Temperature-- -30°C~+70°C (Non-comdensing)
- Bearing Type-- Ball Bearings~Sleeve
- Speed Range-- $\pm 10\%$

Model No.	Rated Voltage	Operating Voltage	Rated Current	Rated Input	Speed	Maximum Air Flow		Max.Static Pressure		Noise
	VDC	VDC	AMP	Watt		R.P.M	M3/min	CFM	Pa	
K-DC17251-A12-37H	12	8~13.2	1.25	15.0	3700	6.59	232	220	0.883	51
K-DC17251-A12-44H			1.95	23.4	4400	7.84	276	425	1.707	56
K-DC17251-A12-50H			2.7	32.4	5000	9.08	320	540	2.17	58
K-DC17251-A12-55H			3.3	39.6	5500	10.02	353	600	2.41	60
K-DC17251-A12-70H			5.6	67.2	7000	11.87	418	800	3.21	69
K-DC17251-A24-37H	24	14.5~27.2	0.625	15.0	3700	6.59	232	220	0.883	51
K-DC17251-A24-44H			0.975	23.4	4400	7.84	276	425	1.707	56
K-DC17251-A24-50H			1.35	32.4	5000	9.08	320	540	2.17	58
K-DC17251-A24-55H			1.65	39.6	5500	10.02	353	600	2.41	60
K-DC17251-A24-70H			2.8	67.2	7000	11.87	418	800	3.21	69
K-DC17251-A24-92H			6.33	152	9200	15.48	545	1120	4.49	75
K-DC17251-A48-37H	48	36.0~55.0	0.32	15.3	3700	6.59	232	220	0.883	51
K-DC17251-A48-44H			0.49	23.5	4400	7.84	276	425	1.707	56
K-DC17251-A48-50H			0.68	32.6	5000	9.08	320	540	2.17	58
K-DC17251-A48-55H			0.83	39.8	5500	10.02	353	600	2.41	60
K-DC17251-A48-70H			1.4	67.2	7000	11.87	418	800	3.21	69
K-DC17251-A48-92H			3.16	152	9200	15.48	545	1280	5.15	75

A12/24/48-37/44/50H



A12/24/48-55/70/92H

